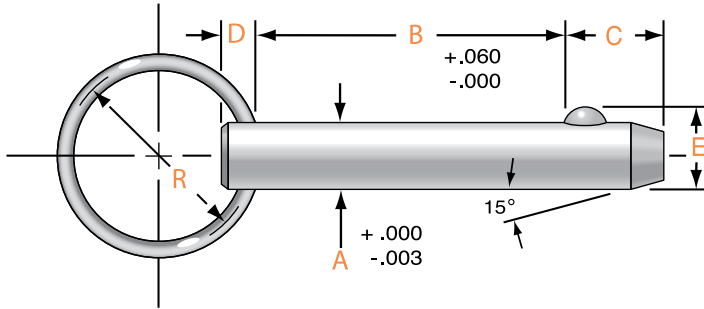


# Model C Faspin®

Standard sizes and configurations.



DIAMETER	GRIP OR EFFECTIVE LENGTH	C	D	E	R	FASPIN P/N ZINC PLATED 1144 STEEL	FASPIN P/N 303 STAIN-LESS STEEL
3/16	0.3	0.200	0.187	0.204	1.00	C3-03R	C3-03R-303
3/16	0.4	0.200	0.187	0.204	1.00	C3-04R	C3-04R-303
3/16	0.5	0.200	0.187	0.204	1.00	C3-05R	C3-05R-303
3/16	0.6	0.200	0.187	0.204	1.00	C3-06R	C3-06R-303
3/16	0.7	0.200	0.187	0.204	1.00	C3-07R	C3-07R-303
3/16	0.8	0.200	0.187	0.204	1.00	C3-08R	C3-08R-303
3/16	0.9	0.200	0.187	0.204	1.00	C3-09R	C3-09R-303
3/16	1.0	0.200	0.187	0.204	1.00	C3-10R	C3-10R-303
3/16	1.1	0.200	0.187	0.204	1.00	C3-11R	C3-11R-303
3/16	1.2	0.200	0.187	0.204	1.00	C3-12R	C3-12R-303
3/16	1.3	0.200	0.187	0.204	1.00	C3-13R	C3-13R-303
3/16	1.4	0.200	0.187	0.204	1.00	C3-14R	C3-14R-303
3/16	1.5	0.200	0.187	0.204	1.00	C3-15R	C3-15R-303
3/16	1.6	0.200	0.187	0.204	1.00	C3-16R	C3-16R-303
3/16	1.7	0.200	0.187	0.204	1.00	C3-17R	C3-17R-303
3/16	1.8	0.200	0.187	0.204	1.00	C3-18R	C3-18R-303
3/16	1.9	0.200	0.187	0.204	1.00	C3-19R	C3-19R-303
3/16	2.0	0.200	0.187	0.204	1.00	C3-20R	C3-20R-303
3/16	2.1	0.200	0.187	0.204	1.00	C3-21R	C3-21R-303
3/16	2.2	0.200	0.187	0.204	1.00	C3-22R	C3-22R-303
3/16	2.3	0.200	0.187	0.204	1.00	C3-23R	C3-23R-303
3/16	2.4	0.200	0.187	0.204	1.00	C3-24R	C3-24R-303
3/16	2.5	0.200	0.187	0.204	1.00	C3-25R	C3-25R-303
3/16	2.6	0.200	0.187	0.204	1.00	C3-26R	C3-26R-303
3/16	2.7	0.200	0.187	0.204	1.00	C3-27R	C3-27R-303
3/16	2.8	0.200	0.187	0.204	1.00	C3-28R	C3-28R-303
3/16	2.9	0.200	0.187	0.204	1.00	C3-29R	C3-29R-303
3/16	3.0	0.200	0.187	0.204	1.00	C3-30R	C3-30R-303

**Model C Faspin**

DIAMETER	GRIP OR EFFECTIVE LENGTH	C	D	E	R	FASPIN P/N ZINC PLATED 1144 STEEL	FASPIN P/N 303 STAIN-LESS STEEL
3/16	3.1	0.200	0.187	0.204	1.00	C3-31R	C3-31R-303
3/16	3.2	0.200	0.187	0.204	1.00	C3-32R	C3-32R-303
3/16	3.3	0.200	0.187	0.204	1.00	C3-33R	C3-33R-303
3/16	3.4	0.200	0.187	0.204	1.00	C3-34R	C3-34R-303
3/16	3.5	0.200	0.187	0.204	1.00	C3-35R	C3-35R-303
3/16	3.6	0.200	0.187	0.204	1.00	C3-36R	C3-36R-303
3/16	3.7	0.200	0.187	0.204	1.00	C3-37R	C3-37R-303
3/16	3.8	0.200	0.187	0.204	1.00	C3-38R	C3-38R-303
3/16	3.9	0.200	0.187	0.204	1.00	C3-39R	C3-39R-303
3/16	4.0	0.200	0.187	0.204	1.00	C3-40R	C3-40R-303
1/4	0.3	0.312	0.220	0.286	1.00	C4-03R	C4-03R-303
1/4	0.4	0.312	0.220	0.286	1.00	C4-04R	C4-04R-303
1/4	0.5	0.312	0.220	0.286	1.00	C4-05R	C4-05R-303
1/4	0.6	0.312	0.220	0.286	1.00	C4-06R	C4-06R-303
1/4	0.7	0.312	0.220	0.286	1.00	C4-07R	C4-07R-303
1/4	0.8	0.312	0.220	0.286	1.00	C4-08R	C4-08R-303
1/4	0.9	0.312	0.220	0.286	1.00	C4-09R	C4-09R-303
1/4	1.0	0.312	0.220	0.286	1.00	C4-10R	C4-10R-303
1/4	1.1	0.312	0.220	0.286	1.00	C4-11R	C4-11R-303
1/4	1.2	0.312	0.220	0.286	1.00	C4-12R	C4-12R-303
1/4	1.3	0.312	0.220	0.286	1.00	C4-13R	C4-13R-303
1/4	1.4	0.312	0.220	0.286	1.00	C4-14R	C4-14R-303
1/4	1.5	0.312	0.220	0.286	1.00	C4-15R	C4-15R-303
1/4	1.6	0.312	0.220	0.286	1.00	C4-16R	C4-16R-303
1/4	1.7	0.312	0.220	0.286	1.00	C4-17R	C4-17R-303
1/4	1.8	0.312	0.220	0.286	1.00	C4-18R	C4-18R-303
1/4	1.9	0.312	0.220	0.286	1.00	C4-19R	C4-19R-303
1/4	2.0	0.312	0.220	0.286	1.00	C4-20R	C4-20R-303
1/4	2.1	0.312	0.220	0.286	1.00	C4-21R	C4-21R-303
1/4	2.2	0.312	0.220	0.286	1.00	C4-22R	C4-22R-303
1/4	2.3	0.312	0.220	0.286	1.00	C4-23R	C4-23R-303
1/4	2.4	0.312	0.220	0.286	1.00	C4-24R	C4-24R-303
1/4	2.5	0.312	0.220	0.286	1.00	C4-25R	C4-25R-303
1/4	2.6	0.312	0.220	0.286	1.00	C4-26R	C4-26R-303
1/4	2.7	0.312	0.220	0.286	1.00	C4-27R	C4-27R-303
1/4	2.8	0.312	0.220	0.286	1.00	C4-28R	C4-28R-303
1/4	2.9	0.312	0.220	0.286	1.00	C4-29R	C4-29R-303
1/4	3.0	0.312	0.220	0.286	1.00	C4-30R	C4-30R-303
1/4	3.1	0.312	0.220	0.286	1.00	C4-31R	C4-31R-303
1/4	3.2	0.312	0.220	0.286	1.00	C4-32R	C4-32R-303

**Model C Faspin**

DIAMETER	GRIP OR EFFECTIVE LENGTH	C	D	E	R	FASPIN P/N ZINC PLATED 1144 STEEL	FASPIN P/N 303 STAIN-LESS STEEL
1/4	3.3	0.312	0.220	0.286	1.00	C4-33R	C4-33R-303
1/4	3.4	0.312	0.220	0.286	1.00	C4-34R	C4-34R-303
1/4	3.5	0.312	0.220	0.286	1.00	C4-35R	C4-35R-303
1/4	3.6	0.312	0.220	0.286	1.00	C4-36R	C4-36R-303
1/4	3.7	0.312	0.220	0.286	1.00	C4-37R	C4-37R-303
1/4	3.8	0.312	0.220	0.286	1.00	C4-38R	C4-38R-303
1/4	3.9	0.312	0.220	0.286	1.00	C4-39R	C4-39R-303
1/4	4.0	0.312	0.220	0.286	1.00	C4-40R	C4-40R-303
5/16	0.5	0.375	0.250	0.358	1.00	C5-05R	C5-05R-303
5/16	0.6	0.375	0.250	0.358	1.00	C5-06R	C5-06R-303
5/16	0.7	0.375	0.250	0.358	1.00	C5-07R	C5-07R-303
5/16	0.8	0.375	0.250	0.358	1.00	C5-08R	C5-08R-303
5/16	0.9	0.375	0.250	0.358	1.00	C5-09R	C5-09R-303
5/16	1.0	0.375	0.250	0.358	1.00	C5-10R	C5-10R-303
5/16	1.1	0.375	0.250	0.358	1.00	C5-11R	C5-11R-303
5/16	1.2	0.375	0.250	0.358	1.00	C5-12R	C5-12R-303
5/16	1.3	0.375	0.250	0.358	1.00	C5-13R	C5-13R-303
5/16	1.4	0.375	0.250	0.358	1.00	C5-14R	C5-14R-303
5/16	1.5	0.375	0.250	0.358	1.00	C5-15R	C5-15R-303
5/16	1.6	0.375	0.250	0.358	1.00	C5-16R	C5-16R-303
5/16	1.7	0.375	0.250	0.358	1.00	C5-17R	C5-17R-303
5/16	1.8	0.375	0.250	0.358	1.00	C5-18R	C5-18R-303
5/16	1.9	0.375	0.250	0.358	1.00	C5-19R	C5-19R-303
5/16	2.0	0.375	0.250	0.358	1.00	C5-20R	C5-20R-303
5/16	2.1	0.375	0.250	0.358	1.00	C5-21R	C5-21R-303
5/16	2.2	0.375	0.250	0.358	1.00	C5-22R	C5-22R-303
5/16	2.3	0.375	0.250	0.358	1.00	C5-23R	C5-23R-303
5/16	2.4	0.375	0.250	0.358	1.00	C5-24R	C5-24R-303
5/16	2.5	0.375	0.250	0.358	1.00	C5-25R	C5-25R-303
5/16	2.6	0.375	0.250	0.358	1.00	C5-26R	C5-26R-303
5/16	2.7	0.375	0.250	0.358	1.00	C5-27R	C5-27R-303
5/16	2.8	0.375	0.250	0.358	1.00	C5-28R	C5-28R-303
5/16	2.9	0.375	0.250	0.358	1.00	C5-29R	C5-29R-303
5/16	3.0	0.375	0.250	0.358	1.00	C5-30R	C5-30R-303
5/16	3.1	0.375	0.250	0.358	1.00	C5-31R	C5-31R-303
5/16	3.2	0.375	0.250	0.358	1.00	C5-32R	C5-32R-303
5/16	3.3	0.375	0.250	0.358	1.00	C5-33R	C5-33R-303
5/16	3.4	0.375	0.250	0.358	1.00	C5-34R	C5-34R-303
5/16	3.5	0.375	0.250	0.358	1.00	C5-35R	C5-35R-303
5/16	3.6	0.375	0.250	0.358	1.00	C5-36R	C5-36R-303

**Model C Faspin**

DIAMETER	GRIP OR EFFECTIVE LENGTH	C	D	E	R	FASPIN P/N ZINC PLATED 1144 STEEL	FASPIN P/N 303 STAIN-LESS STEEL
5/16	3.7	0.375	0.250	0.358	1.00	C5-37R	C5-37R-303
5/16	3.8	0.375	0.250	0.358	1.00	C5-38R	C5-38R-303
5/16	3.9	0.375	0.250	0.358	1.00	C5-39R	C5-39R-303
5/16	4.0	0.375	0.250	0.358	1.00	C5-40R	C5-40R-303
5/16	4.1	0.375	0.250	0.358	1.00	C5-41R	C5-41R-303
5/16	4.2	0.375	0.250	0.358	1.00	C5-42R	C5-42R-303
5/16	4.3	0.375	0.250	0.358	1.00	C5-43R	C5-43R-303
5/16	4.4	0.375	0.250	0.358	1.00	C5-44R	C5-44R-303
5/16	4.5	0.375	0.250	0.358	1.00	C5-45R	C5-45R-303
5/16	4.6	0.375	0.250	0.358	1.00	C5-46R	C5-46R-303
5/16	4.7	0.375	0.250	0.358	1.00	C5-47R	C5-47R-303
5/16	4.8	0.375	0.250	0.358	1.00	C5-48R	C5-48R-303
5/16	4.9	0.375	0.250	0.358	1.00	C5-49R	C5-49R-303
5/16	5.0	0.375	0.250	0.358	1.00	C5-50R	C5-50R-303
3/8	0.5	0.500	0.250	0.426	1.00	C6-05R	C6-05R-303
3/8	0.6	0.500	0.250	0.426	1.00	C6-06R	C6-06R-303
3/8	0.7	0.500	0.250	0.426	1.00	C6-07R	C6-07R-303
3/8	0.8	0.500	0.250	0.426	1.00	C6-08R	C6-08R-303
3/8	0.9	0.500	0.250	0.426	1.00	C6-09R	C6-09R-303
3/8	1.0	0.500	0.250	0.426	1.00	C6-10R	C6-10R-303
3/8	1.1	0.500	0.250	0.426	1.00	C6-11R	C6-11R-303
3/8	1.2	0.500	0.250	0.426	1.00	C6-12R	C6-12R-303
3/8	1.3	0.500	0.250	0.426	1.00	C6-13R	C6-13R-303
3/8	1.4	0.500	0.250	0.426	1.00	C6-14R	C6-14R-303
3/8	1.5	0.500	0.250	0.426	1.00	C6-15R	C6-15R-303
3/8	1.6	0.500	0.250	0.426	1.00	C6-16R	C6-16R-303
3/8	1.7	0.500	0.250	0.426	1.00	C6-17R	C6-17R-303
3/8	1.8	0.500	0.250	0.426	1.00	C6-18R	C6-18R-303
3/8	1.9	0.500	0.250	0.426	1.00	C6-19R	C6-19R-303
3/8	2.0	0.500	0.250	0.426	1.00	C6-20R	C6-20R-303
3/8	2.1	0.500	0.250	0.426	1.00	C6-21R	C6-21R-303
3/8	2.2	0.500	0.250	0.426	1.00	C6-22R	C6-22R-303
3/8	2.3	0.500	0.250	0.426	1.00	C6-23R	C6-23R-303
3/8	2.4	0.500	0.250	0.426	1.00	C6-24R	C6-24R-303
3/8	2.5	0.500	0.250	0.426	1.00	C6-25R	C6-25R-303
3/8	2.6	0.500	0.250	0.426	1.00	C6-26R	C6-26R-303
3/8	2.7	0.500	0.250	0.426	1.00	C6-27R	C6-27R-303
3/8	2.8	0.500	0.250	0.426	1.00	C6-28R	C6-28R-303
3/8	2.9	0.500	0.250	0.426	1.00	C6-29R	C6-29R-303
3/8	3.0	0.500	0.250	0.426	1.00	C6-30R	C6-30R-303

**Model C Faspin**

DIAMETER	GRIP OR EFFECTIVE LENGTH	C	D	E	R	FASPIN P/N ZINC PLATED 1144 STEEL	FASPIN P/N 303 STAIN-LESS STEEL
3/8	3.1	0.500	0.250	0.426	1.00	C6-31R	C6-31R-303
3/8	3.2	0.500	0.250	0.426	1.00	C6-32R	C6-32R-303
3/8	3.3	0.500	0.250	0.426	1.00	C6-33R	C6-33R-303
3/8	3.4	0.500	0.250	0.426	1.00	C6-34R	C6-34R-303
3/8	3.5	0.500	0.250	0.426	1.00	C6-35R	C6-35R-303
3/8	3.6	0.500	0.250	0.426	1.00	C6-36R	C6-36R-303
3/8	3.7	0.500	0.250	0.426	1.00	C6-37R	C6-37R-303
3/8	3.8	0.500	0.250	0.426	1.00	C6-38R	C6-38R-303
3/8	3.9	0.500	0.250	0.426	1.00	C6-39R	C6-39R-303
3/8	4.0	0.500	0.250	0.426	1.00	C6-40R	C6-40R-303
3/8	4.1	0.500	0.250	0.426	1.00	C6-41R	C6-41R-303
3/8	4.2	0.500	0.250	0.426	1.00	C6-42R	C6-42R-303
3/8	4.3	0.500	0.250	0.426	1.00	C6-43R	C6-43R-303
3/8	4.4	0.500	0.250	0.426	1.00	C6-44R	C6-44R-303
3/8	4.5	0.500	0.250	0.426	1.00	C6-45R	C6-45R-303
3/8	4.6	0.500	0.250	0.426	1.00	C6-46R	C6-46R-303
3/8	4.7	0.500	0.250	0.426	1.00	C6-47R	C6-47R-303
3/8	4.8	0.500	0.250	0.426	1.00	C6-48R	C6-48R-303
3/8	4.9	0.500	0.250	0.426	1.00	C6-49R	C6-49R-303
3/8	5.0	0.500	0.250	0.426	1.00	C6-50R	C6-50R-303
3/8	5.1	0.500	0.250	0.426	1.00	C6-51R	C6-51R-303
3/8	5.2	0.500	0.250	0.426	1.00	C6-52R	C6-52R-303
3/8	5.3	0.500	0.250	0.426	1.00	C6-53R	C6-53R-303
3/8	5.4	0.500	0.250	0.426	1.00	C6-54R	C6-54R-303
3/8	5.5	0.500	0.250	0.426	1.00	C6-55R	C6-55R-303
3/8	5.6	0.500	0.250	0.426	1.00	C6-56R	C6-56R-303
3/8	5.7	0.500	0.250	0.426	1.00	C6-57R	C6-57R-303
3/8	5.8	0.500	0.250	0.426	1.00	C6-58R	C6-58R-303
3/8	5.9	0.500	0.250	0.426	1.00	C6-59R	C6-59R-303
3/8	6.0	0.500	0.250	0.426	1.00	C6-60R	C6-60R-303
7/16	0.5	0.562	0.250	0.496	1.00	C7-05R	C7-05R-303
7/16	0.6	0.562	0.250	0.496	1.00	C7-06R	C7-06R-303
7/16	0.7	0.562	0.250	0.496	1.00	C7-07R	C7-07R-303
7/16	0.8	0.562	0.250	0.496	1.00	C7-08R	C7-08R-303
7/16	0.9	0.562	0.250	0.496	1.00	C7-09R	C7-09R-303
7/16	1.0	0.562	0.250	0.496	1.00	C7-10R	C7-10R-303
7/16	1.1	0.562	0.250	0.496	1.00	C7-11R	C7-11R-303
7/16	1.2	0.562	0.250	0.496	1.00	C7-12R	C7-12R-303
7/16	1.3	0.562	0.250	0.496	1.00	C7-13R	C7-13R-303
7/16	1.4	0.562	0.250	0.496	1.00	C7-14R	C7-14R-303
7/16	1.5	0.562	0.250	0.496	1.00	C7-15R	C7-15R-303

**Model C Faspin**

DIAMETER	GRIP OR EFFECTIVE LENGTH	C	D	E	R	FASPIN P/N ZINC PLATED 1144 STEEL	FASPIN P/N 303 STAIN-LESS STEEL
7/16	1.6	0.562	0.250	0.496	1.00	C7-16R	C7-16R-303
7/16	1.7	0.562	0.250	0.496	1.00	C7-17R	C7-17R-303
7/16	1.8	0.562	0.250	0.496	1.00	C7-18R	C7-18R-303
7/16	1.9	0.562	0.250	0.496	1.00	C7-19R	C7-19R-303
7/16	2.0	0.562	0.250	0.496	1.00	C7-20R	C7-20R-303
7/16	2.1	0.562	0.250	0.496	1.00	C7-21R	C7-21R-303
7/16	2.2	0.562	0.250	0.496	1.00	C7-22R	C7-22R-303
7/16	2.3	0.562	0.250	0.496	1.00	C7-23R	C7-23R-303
7/16	2.4	0.562	0.250	0.496	1.00	C7-24R	C7-24R-303
7/16	2.5	0.562	0.250	0.496	1.00	C7-25R	C7-25R-303
7/16	2.6	0.562	0.250	0.496	1.00	C7-26R	C7-26R-303
7/16	2.7	0.562	0.250	0.496	1.00	C7-27R	C7-27R-303
7/16	2.8	0.562	0.250	0.496	1.00	C7-28R	C7-28R-303
7/16	2.9	0.562	0.250	0.496	1.00	C7-29R	C7-29R-303
7/16	3.0	0.562	0.250	0.496	1.00	C7-30R	C7-30R-303
7/16	3.1	0.562	0.250	0.496	1.00	C7-31R	C7-31R-303
7/16	3.2	0.562	0.250	0.496	1.00	C7-32R	C7-32R-303
7/16	3.3	0.562	0.250	0.496	1.00	C7-33R	C7-33R-303
7/16	3.4	0.562	0.250	0.496	1.00	C7-34R	C7-34R-303
7/16	3.5	0.562	0.250	0.496	1.00	C7-35R	C7-35R-303
7/16	3.6	0.562	0.250	0.496	1.00	C7-36R	C7-36R-303
7/16	3.7	0.562	0.250	0.496	1.00	C7-37R	C7-37R-303
7/16	3.8	0.562	0.250	0.496	1.00	C7-38R	C7-38R-303
7/16	3.9	0.562	0.250	0.496	1.00	C7-39R	C7-39R-303
7/16	4.0	0.562	0.250	0.496	1.00	C7-40R	C7-40R-303
7/16	4.1	0.562	0.250	0.496	1.00	C7-41R	C7-41R-303
7/16	4.2	0.562	0.250	0.496	1.00	C7-42R	C7-42R-303
7/16	4.3	0.562	0.250	0.496	1.00	C7-43R	C7-43R-303
7/16	4.4	0.562	0.250	0.496	1.00	C7-44R	C7-44R-303
7/16	4.5	0.562	0.250	0.496	1.00	C7-45R	C7-45R-303
7/16	4.6	0.562	0.250	0.496	1.00	C7-46R	C7-46R-303
7/16	4.7	0.562	0.250	0.496	1.00	C7-47R	C7-47R-303
7/16	4.8	0.562	0.250	0.496	1.00	C7-48R	C7-48R-303
7/16	4.9	0.562	0.250	0.496	1.00	C7-49R	C7-49R-303
7/16	5.0	0.562	0.250	0.496	1.00	C7-50R	C7-50R-303
7/16	5.1	0.562	0.250	0.496	1.00	C7-51R	C7-51R-303
7/16	5.2	0.562	0.250	0.496	1.00	C7-52R	C7-52R-303
7/16	5.3	0.562	0.250	0.496	1.00	C7-53R	C7-53R-303
7/16	5.4	0.562	0.250	0.496	1.00	C7-54R	C7-54R-303
7/16	5.5	0.562	0.250	0.496	1.00	C7-55R	C7-55R-303

**Model C Faspin**

DIAMETER	GRIP OR EFFECTIVE LENGTH	C	D	E	R	FASPIN P/N ZINC PLATED 1144 STEEL	FASPIN P/N 303 STAIN-LESS STEEL
7/16	5.6	0.562	0.250	0.496	1.00	C7-56R	C7-56R-303
7/16	5.7	0.562	0.250	0.496	1.00	C7-57R	C7-57R-303
7/16	5.8	0.562	0.250	0.496	1.00	C7-58R	C7-58R-303
7/16	5.9	0.562	0.250	0.496	1.00	C7-59R	C7-59R-303
7/16	6.0	0.562	0.250	0.496	1.00	C7-60R	C7-60R-303
1/2	0.5	0.625	0.312	0.570	1.25	C8-05R	C8-05R-303
1/2	0.6	0.625	0.312	0.570	1.25	C8-06R	C8-06R-303
1/2	0.7	0.625	0.312	0.570	1.25	C8-07R	C8-07R-303
1/2	0.8	0.625	0.312	0.570	1.25	C8-08R	C8-08R-303
1/2	0.9	0.625	0.312	0.570	1.25	C8-09R	C8-09R-303
1/2	1.0	0.625	0.312	0.570	1.25	C8-10R	C8-10R-303
1/2	1.1	0.625	0.312	0.570	1.25	C8-11R	C8-11R-303
1/2	1.2	0.625	0.312	0.570	1.25	C8-12R	C8-12R-303
1/2	1.3	0.625	0.312	0.570	1.25	C8-13R	C8-13R-303
1/2	1.4	0.625	0.312	0.570	1.25	C8-14R	C8-14R-303
1/2	1.5	0.625	0.312	0.570	1.25	C8-15R	C8-15R-303
1/2	1.6	0.625	0.312	0.570	1.25	C8-16R	C8-16R-303
1/2	1.7	0.625	0.312	0.570	1.25	C8-17R	C8-17R-303
1/2	1.8	0.625	0.312	0.570	1.25	C8-18R	C8-18R-303
1/2	1.9	0.625	0.312	0.570	1.25	C8-19R	C8-19R-303
1/2	2.0	0.625	0.312	0.570	1.25	C8-20R	C8-20R-303
1/2	2.1	0.625	0.312	0.570	1.25	C8-21R	C8-21R-303
1/2	2.2	0.625	0.312	0.570	1.25	C8-22R	C8-22R-303
1/2	2.3	0.625	0.312	0.570	1.25	C8-23R	C8-23R-303
1/2	2.4	0.625	0.312	0.570	1.25	C8-24R	C8-24R-303
1/2	2.5	0.625	0.312	0.570	1.25	C8-25R	C8-25R-303
1/2	2.6	0.625	0.312	0.570	1.25	C8-26R	C8-26R-303
1/2	2.7	0.625	0.312	0.570	1.25	C8-27R	C8-27R-303
1/2	2.8	0.625	0.312	0.570	1.25	C8-28R	C8-28R-303
1/2	2.9	0.625	0.312	0.570	1.25	C8-29R	C8-29R-303
1/2	3.0	0.625	0.312	0.570	1.25	C8-30R	C8-30R-303
1/2	3.1	0.625	0.312	0.570	1.25	C8-31R	C8-31R-303
1/2	3.2	0.625	0.312	0.570	1.25	C8-32R	C8-32R-303
1/2	3.3	0.625	0.312	0.570	1.25	C8-33R	C8-33R-303
1/2	3.4	0.625	0.312	0.570	1.25	C8-34R	C8-34R-303
1/2	3.5	0.625	0.312	0.570	1.25	C8-35R	C8-35R-303
1/2	3.6	0.625	0.312	0.570	1.25	C8-36R	C8-36R-303
1/2	3.7	0.625	0.312	0.570	1.25	C8-37R	C8-37R-303
1/2	3.8	0.625	0.312	0.570	1.25	C8-38R	C8-38R-303
1/2	3.9	0.625	0.312	0.570	1.25	C8-39R	C8-39R-303

**Model C Faspin**

DIAMETER	GRIP OR EFFECTIVE LENGTH	C	D	E	R	FASPIN P/N ZINC PLATED 1144 STEEL	FASPIN P/N 303 STAIN-LESS STEEL
1/2	4.0	0.625	0.312	0.570	1.25	C8-40R	C8-40R-303
1/2	4.1	0.625	0.312	0.570	1.25	C8-41R	C8-41R-303
1/2	4.2	0.625	0.312	0.570	1.25	C8-42R	C8-42R-303
1/2	4.3	0.625	0.312	0.570	1.25	C8-43R	C8-43R-303
1/2	4.4	0.625	0.312	0.570	1.25	C8-44R	C8-44R-303
1/2	4.5	0.625	0.312	0.570	1.25	C8-45R	C8-45R-303
1/2	4.6	0.625	0.312	0.570	1.25	C8-46R	C8-46R-303
1/2	4.7	0.625	0.312	0.570	1.25	C8-47R	C8-47R-303
1/2	4.8	0.625	0.312	0.570	1.25	C8-48R	C8-48R-303
1/2	4.9	0.625	0.312	0.570	1.25	C8-49R	C8-49R-303
1/2	5.0	0.625	0.312	0.570	1.25	C8-50R	C8-50R-303
1/2	5.1	0.625	0.312	0.570	1.25	C8-51R	C8-51R-303
1/2	5.2	0.625	0.312	0.570	1.25	C8-52R	C8-52R-303
1/2	5.3	0.625	0.312	0.570	1.25	C8-53R	C8-53R-303
1/2	5.4	0.625	0.312	0.570	1.25	C8-54R	C8-54R-303
1/2	5.5	0.625	0.312	0.570	1.25	C8-55R	C8-55R-303
1/2	5.6	0.625	0.312	0.570	1.25	C8-56R	C8-56R-303
1/2	5.7	0.625	0.312	0.570	1.25	C8-57R	C8-57R-303
1/2	5.8	0.625	0.312	0.570	1.25	C8-58R	C8-58R-303
1/2	5.9	0.625	0.312	0.570	1.25	C8-59R	C8-59R-303
1/2	6.0	0.625	0.312	0.570	1.25	C8-60R	C8-60R-303
1/2	6.1	0.625	0.312	0.570	1.25	C8-61R	C8-61R-303
1/2	6.2	0.625	0.312	0.570	1.25	C8-62R	C8-62R-303
1/2	6.3	0.625	0.312	0.570	1.25	C8-63R	C8-63R-303
1/2	6.4	0.625	0.312	0.570	1.25	C8-64R	C8-64R-303
1/2	6.5	0.625	0.312	0.570	1.25	C8-65R	C8-65R-303
1/2	6.6	0.625	0.312	0.570	1.25	C8-66R	C8-66R-303
1/2	6.7	0.625	0.312	0.570	1.25	C8-67R	C8-67R-303
1/2	6.8	0.625	0.312	0.570	1.25	C8-68R	C8-68R-303
1/2	6.9	0.625	0.312	0.570	1.25	C8-69R	C8-69R-303
1/2	7.0	0.625	0.312	0.570	1.25	C8-70R	C8-70R-303
9/16	1.0	0.687	0.312	0.642	1.25	C9-10R	C9-10R-303
9/16	1.1	0.687	0.312	0.642	1.25	C9-11R	C9-11R-303
9/16	1.2	0.687	0.312	0.642	1.25	C9-12R	C9-12R-303
9/16	1.3	0.687	0.312	0.642	1.25	C9-13R	C9-13R-303
9/16	1.4	0.687	0.312	0.642	1.25	C9-14R	C9-14R-303
9/16	1.5	0.687	0.312	0.642	1.25	C9-15R	C9-15R-303
9/16	1.6	0.687	0.312	0.642	1.25	C9-16R	C9-16R-303
9/16	1.7	0.687	0.312	0.642	1.25	C9-17R	C9-17R-303



**Model C Faspin**

DIAMETER	GRIP OR EFFECTIVE LENGTH	C	D	E	R	FASPIN P/N ZINC PLATED 1144 STEEL	FASPIN P/N 303 STAIN-LESS STEEL
9/16	1.8	0.687	0.312	0.642	1.25	C9-18R	C9-18R-303
9/16	1.9	0.687	0.312	0.642	1.25	C9-19R	C9-19R-303
9/16	2.0	0.687	0.312	0.642	1.25	C9-20R	C9-20R-303
9/16	2.1	0.687	0.312	0.642	1.25	C9-21R	C9-21R-303
9/16	2.2	0.687	0.312	0.642	1.25	C9-22R	C9-22R-303
9/16	2.3	0.687	0.312	0.642	1.25	C9-23R	C9-23R-303
9/16	2.4	0.687	0.312	0.642	1.25	C9-24R	C9-24R-303
9/16	2.5	0.687	0.312	0.642	1.25	C9-25R	C9-25R-303
9/16	2.6	0.687	0.312	0.642	1.25	C9-26R	C9-26R-303
9/16	2.7	0.687	0.312	0.642	1.25	C9-27R	C9-27R-303
9/16	2.8	0.687	0.312	0.642	1.25	C9-28R	C9-28R-303
9/16	2.9	0.687	0.312	0.642	1.25	C9-29R	C9-29R-303
9/16	3.0	0.687	0.312	0.642	1.25	C9-30R	C9-30R-303
9/16	3.1	0.687	0.312	0.642	1.25	C9-31R	C9-31R-303
9/16	3.2	0.687	0.312	0.642	1.25	C9-32R	C9-32R-303
9/16	3.3	0.687	0.312	0.642	1.25	C9-33R	C9-33R-303
9/16	3.4	0.687	0.312	0.642	1.25	C9-34R	C9-34R-303
9/16	3.5	0.687	0.312	0.642	1.25	C9-35R	C9-35R-303
9/16	3.6	0.687	0.312	0.642	1.25	C9-36R	C9-36R-303
9/16	3.7	0.687	0.312	0.642	1.25	C9-37R	C9-37R-303
9/16	3.8	0.687	0.312	0.642	1.25	C9-38R	C9-38R-303
9/16	3.9	0.687	0.312	0.642	1.25	C9-39R	C9-39R-303
9/16	4.0	0.687	0.312	0.642	1.25	C9-40R	C9-40R-303
9/16	4.1	0.687	0.312	0.642	1.25	C9-41R	C9-41R-303
9/16	4.2	0.687	0.312	0.642	1.25	C9-42R	C9-42R-303
9/16	4.3	0.687	0.312	0.642	1.25	C9-43R	C9-43R-303
9/16	4.4	0.687	0.312	0.642	1.25	C9-44R	C9-44R-303
9/16	4.5	0.687	0.312	0.642	1.25	C9-45R	C9-45R-303
9/16	4.6	0.687	0.312	0.642	1.25	C9-46R	C9-46R-303
9/16	4.7	0.687	0.312	0.642	1.25	C9-47R	C9-47R-303
9/16	4.8	0.687	0.312	0.642	1.25	C9-48R	C9-48R-303
9/16	4.9	0.687	0.312	0.642	1.25	C9-49R	C9-49R-303
9/16	5.0	0.687	0.312	0.642	1.25	C9-50R	C9-50R-303
9/16	5.1	0.687	0.312	0.642	1.25	C9-51R	C9-51R-303
9/16	5.2	0.687	0.312	0.642	1.25	C9-52R	C9-52R-303
9/16	5.3	0.687	0.312	0.642	1.25	C9-53R	C9-53R-303
9/16	5.4	0.687	0.312	0.642	1.25	C9-54R	C9-54R-303
9/16	5.5	0.687	0.312	0.642	1.25	C9-55R	C9-55R-303
9/16	5.6	0.687	0.312	0.642	1.25	C9-56R	C9-56R-303
9/16	5.7	0.687	0.312	0.642	1.25	C9-57R	C9-57R-303

**Model C Faspin**

DIAMETER	GRIP OR EFFECTIVE LENGTH	C	D	E	R	FASPIN P/N ZINC PLATED 1144 STEEL	FASPIN P/N 303 STAIN-LESS STEEL
9/16	5.8	0.687	0.312	0.642	1.25	C9-58R	C9-58R-303
9/16	5.9	0.687	0.312	0.642	1.25	C9-59R	C9-59R-303
9/16	6.0	0.687	0.312	0.642	1.25	C9-60R	C9-60R-303
9/16	6.1	0.687	0.312	0.642	1.25	C9-61R	C9-61R-303
9/16	6.2	0.687	0.312	0.642	1.25	C9-62R	C9-62R-303
9/16	6.3	0.687	0.312	0.642	1.25	C9-63R	C9-63R-303
9/16	6.4	0.687	0.312	0.642	1.25	C9-64R	C9-64R-303
9/16	6.5	0.687	0.312	0.642	1.25	C9-65R	C9-65R-303
9/16	6.6	0.687	0.312	0.642	1.25	C9-66R	C9-66R-303
9/16	6.7	0.687	0.312	0.642	1.25	C9-67R	C9-67R-303
9/16	6.8	0.687	0.312	0.642	1.25	C9-68R	C9-68R-303
9/16	6.9	0.687	0.312	0.642	1.25	C9-69R	C9-69R-303
9/16	7.0	0.687	0.312	0.642	1.25	C9-70R	C9-70R-303
5/8	1.0	0.750	0.375	0.710	1.25	C10-10R	C10-10R-303
5/8	1.1	0.750	0.375	0.710	1.25	C10-11R	C10-11R-303
5/8	1.2	0.750	0.375	0.710	1.25	C10-12R	C10-12R-303
5/8	1.3	0.750	0.375	0.710	1.25	C10-13R	C10-13R-303
5/8	1.4	0.750	0.375	0.710	1.25	C10-14R	C10-14R-303
5/8	1.5	0.750	0.375	0.710	1.25	C10-15R	C10-15R-303
5/8	1.6	0.750	0.375	0.710	1.25	C10-16R	C10-16R-303
5/8	1.7	0.750	0.375	0.710	1.25	C10-17R	C10-17R-303
5/8	1.8	0.750	0.375	0.710	1.25	C10-18R	C10-18R-303
5/8	1.9	0.750	0.375	0.710	1.25	C10-19R	C10-19R-303
5/8	2.0	0.750	0.375	0.710	1.25	C10-20R	C10-20R-303
5/8	2.1	0.750	0.375	0.710	1.25	C10-21R	C10-21R-303
5/8	2.2	0.750	0.375	0.710	1.25	C10-22R	C10-22R-303
5/8	2.3	0.750	0.375	0.710	1.25	C10-23R	C10-23R-303
5/8	2.4	0.750	0.375	0.710	1.25	C10-24R	C10-24R-303
5/8	2.5	0.750	0.375	0.710	1.25	C10-25R	C10-25R-303
5/8	2.6	0.750	0.375	0.710	1.25	C10-26R	C10-26R-303
5/8	2.7	0.750	0.375	0.710	1.25	C10-27R	C10-27R-303
5/8	2.8	0.750	0.375	0.710	1.25	C10-28R	C10-28R-303
5/8	2.9	0.750	0.375	0.710	1.25	C10-29R	C10-29R-303
5/8	3.0	0.750	0.375	0.710	1.25	C10-30R	C10-30R-303
5/8	3.1	0.750	0.375	0.710	1.25	C10-31R	C10-31R-303
5/8	3.2	0.750	0.375	0.710	1.25	C10-32R	C10-32R-303
5/8	3.3	0.750	0.375	0.710	1.25	C10-33R	C10-33R-303
5/8	3.4	0.750	0.375	0.710	1.25	C10-34R	C10-34R-303
5/8	3.5	0.750	0.375	0.710	1.25	C10-35R	C10-35R-303
5/8	3.6	0.750	0.375	0.710	1.25	C10-36R	C10-36R-303

**Model C Faspin**

DIAMETER	GRIP OR EFFECTIVE LENGTH	C	D	E	R	FASPIN P/N ZINC PLATED 1144 STEEL	FASPIN P/N 303 STAIN-LESS STEEL
5/8	3.7	0.750	0.375	0.710	1.25	C10-37R	C10-37R-303
5/8	3.8	0.750	0.375	0.710	1.25	C10-38R	C10-38R-303
5/8	3.9	0.750	0.375	0.710	1.25	C10-39R	C10-39R-303
5/8	4.0	0.750	0.375	0.710	1.25	C10-40R	C10-40R-303
5/8	4.1	0.750	0.375	0.710	1.25	C10-41R	C10-41R-303
5/8	4.2	0.750	0.375	0.710	1.25	C10-42R	C10-42R-303
5/8	4.3	0.750	0.375	0.710	1.25	C10-43R	C10-43R-303
5/8	4.4	0.750	0.375	0.710	1.25	C10-44R	C10-44R-303
5/8	4.5	0.750	0.375	0.710	1.25	C10-45R	C10-45R-303
5/8	4.6	0.750	0.375	0.710	1.25	C10-46R	C10-46R-303
5/8	4.7	0.750	0.375	0.710	1.25	C10-47R	C10-47R-303
5/8	4.8	0.750	0.375	0.710	1.25	C10-48R	C10-48R-303
5/8	4.9	0.750	0.375	0.710	1.25	C10-49R	C10-49R-303
5/8	5.0	0.750	0.375	0.710	1.25	C10-50R	C10-50R-303
5/8	5.1	0.750	0.375	0.710	1.25	C10-51R	C10-51R-303
5/8	5.2	0.750	0.375	0.710	1.25	C10-52R	C10-52R-303
5/8	5.3	0.750	0.375	0.710	1.25	C10-53R	C10-53R-303
5/8	5.4	0.750	0.375	0.710	1.25	C10-54R	C10-54R-303
5/8	5.5	0.750	0.375	0.710	1.25	C10-55R	C10-55R-303
5/8	5.6	0.750	0.375	0.710	1.25	C10-56R	C10-56R-303
5/8	5.7	0.750	0.375	0.710	1.25	C10-57R	C10-57R-303
5/8	5.8	0.750	0.375	0.710	1.25	C10-58R	C10-58R-303
5/8	5.9	0.750	0.375	0.710	1.25	C10-59R	C10-59R-303
5/8	6.0	0.750	0.375	0.710	1.25	C10-60R	C10-60R-303
5/8	6.1	0.750	0.375	0.710	1.25	C10-61R	C10-61R-303
5/8	6.2	0.750	0.375	0.710	1.25	C10-62R	C10-62R-303
5/8	6.3	0.750	0.375	0.710	1.25	C10-63R	C10-63R-303
5/8	6.4	0.750	0.375	0.710	1.25	C10-64R	C10-64R-303
5/8	6.5	0.750	0.375	0.710	1.25	C10-65R	C10-65R-303
5/8	6.6	0.750	0.375	0.710	1.25	C10-66R	C10-66R-303
5/8	6.7	0.750	0.375	0.710	1.25	C10-67R	C10-67R-303
5/8	6.8	0.750	0.375	0.710	1.25	C10-68R	C10-68R-303
5/8	6.9	0.750	0.375	0.710	1.25	C10-69R	C10-69R-303
5/8	7.0	0.750	0.375	0.710	1.25	C10-70R	C10-70R-303
5/8	7.1	0.750	0.375	0.710	1.25	C10-71R	C10-71R-303
5/8	7.2	0.750	0.375	0.710	1.25	C10-72R	C10-72R-303
5/8	7.3	0.750	0.375	0.710	1.25	C10-73R	C10-73R-303
5/8	7.4	0.750	0.375	0.710	1.25	C10-74R	C10-74R-303
5/8	7.5	0.750	0.375	0.710	1.25	C10-75R	C10-75R-303
5/8	7.6	0.750	0.375	0.710	1.25	C10-76R	C10-76R-303
5/8	7.7	0.750	0.375	0.710	1.25	C10-77R	C10-77R-303

**Model C Faspin**

DIAMETER	GRIP OR EFFECTIVE LENGTH	C	D	E	R	FASPIN P/N ZINC PLATED 1144 STEEL	FASPIN P/N 303 STAIN-LESS STEEL
5/8	7.8	0.750	0.375	0.710	1.25	C10-78R	C10-78R-303
5/8	7.9	0.750	0.375	0.710	1.25	C10-79R	C10-79R-303
5/8	8.0	0.750	0.375	0.710	1.25	C10-80R	C10-80R-303
3/4	1.0	0.937	0.375	0.856	1.50	C12-10R	C12-10R-303
3/4	1.1	0.937	0.375	0.856	1.50	C12-11R	C12-11R-303
3/4	1.2	0.937	0.375	0.856	1.50	C12-12R	C12-12R-303
3/4	1.3	0.937	0.375	0.856	1.50	C12-13R	C12-13R-303
3/4	1.4	0.937	0.375	0.856	1.50	C12-14R	C12-14R-303
3/4	1.5	0.937	0.375	0.856	1.50	C12-15R	C12-15R-303
3/4	1.6	0.937	0.375	0.856	1.50	C12-16R	C12-16R-303
3/4	1.7	0.937	0.375	0.856	1.50	C12-17R	C12-17R-303
3/4	1.8	0.937	0.375	0.856	1.50	C12-18R	C12-18R-303
3/4	1.9	0.937	0.375	0.856	1.50	C12-19R	C12-19R-303
3/4	2.0	0.937	0.375	0.856	1.50	C12-20R	C12-20R-303
3/4	2.1	0.937	0.375	0.856	1.50	C12-21R	C12-21R-303
3/4	2.2	0.937	0.375	0.856	1.50	C12-22R	C12-22R-303
3/4	2.3	0.937	0.375	0.856	1.50	C12-23R	C12-23R-303
3/4	2.4	0.937	0.375	0.856	1.50	C12-24R	C12-24R-303
3/4	2.5	0.937	0.375	0.856	1.50	C12-25R	C12-25R-303
3/4	2.6	0.937	0.375	0.856	1.50	C12-26R	C12-26R-303
3/4	2.7	0.937	0.375	0.856	1.50	C12-27R	C12-27R-303
3/4	2.8	0.937	0.375	0.856	1.50	C12-28R	C12-28R-303
3/4	2.9	0.937	0.375	0.856	1.50	C12-29R	C12-29R-303
3/4	3.0	0.937	0.375	0.856	1.50	C12-30R	C12-30R-303
3/4	3.1	0.937	0.375	0.856	1.50	C12-31R	C12-31R-303
3/4	3.2	0.937	0.375	0.856	1.50	C12-32R	C12-32R-303
3/4	3.3	0.937	0.375	0.856	1.50	C12-33R	C12-33R-303
3/4	3.4	0.937	0.375	0.856	1.50	C12-34R	C12-34R-303
3/4	3.5	0.937	0.375	0.856	1.50	C12-35R	C12-35R-303
3/4	3.6	0.937	0.375	0.856	1.50	C12-36R	C12-36R-303
3/4	3.7	0.937	0.375	0.856	1.50	C12-37R	C12-37R-303
3/4	3.8	0.937	0.375	0.856	1.50	C12-38R	C12-38R-303
3/4	3.9	0.937	0.375	0.856	1.50	C12-39R	C12-39R-303
3/4	4.0	0.937	0.375	0.856	1.50	C12-40R	C12-40R-303
3/4	4.1	0.937	0.375	0.856	1.50	C12-41R	C12-41R-303
3/4	4.2	0.937	0.375	0.856	1.50	C12-42R	C12-42R-303
3/4	4.3	0.937	0.375	0.856	1.50	C12-43R	C12-43R-303
3/4	4.4	0.937	0.375	0.856	1.50	C12-44R	C12-44R-303
3/4	4.5	0.937	0.375	0.856	1.50	C12-45R	C12-45R-303
3/4	4.6	0.937	0.375	0.856	1.50	C12-46R	C12-46R-303

**Model C Faspin**

DIAMETER	GRIP OR EFFECTIVE LENGTH	C	D	E	R	FASPIN P/N ZINC PLATED 1144 STEEL	FASPIN P/N 303 STAIN-LESS STEEL
3/4	4.7	0.937	0.375	0.856	1.50	C12-47R	C12-47R-303
3/4	4.8	0.937	0.375	0.856	1.50	C12-48R	C12-48R-303
3/4	4.9	0.937	0.375	0.856	1.50	C12-49R	C12-49R-303
3/4	5.0	0.937	0.375	0.856	1.50	C12-50R	C12-50R-303
3/4	5.1	0.937	0.375	0.856	1.50	C12-51R	C12-51R-303
3/4	5.2	0.937	0.375	0.856	1.50	C12-52R	C12-52R-303
3/4	5.3	0.937	0.375	0.856	1.50	C12-53R	C12-53R-303
3/4	5.4	0.937	0.375	0.856	1.50	C12-54R	C12-54R-303
3/4	5.5	0.937	0.375	0.856	1.50	C12-55R	C12-55R-303
3/4	5.6	0.937	0.375	0.856	1.50	C12-56R	C12-56R-303
3/4	5.7	0.937	0.375	0.856	1.50	C12-57R	C12-57R-303
3/4	5.8	0.937	0.375	0.856	1.50	C12-58R	C12-58R-303
3/4	5.9	0.937	0.375	0.856	1.50	C12-59R	C12-59R-303
3/4	6.0	0.937	0.375	0.856	1.50	C12-60R	C12-60R-303
3/4	6.1	0.937	0.375	0.856	1.50	C12-61R	C12-61R-303
3/4	6.2	0.937	0.375	0.856	1.50	C12-62R	C12-62R-303
3/4	6.3	0.937	0.375	0.856	1.50	C12-63R	C12-63R-303
3/4	6.4	0.937	0.375	0.856	1.50	C12-64R	C12-64R-303
3/4	6.5	0.937	0.375	0.856	1.50	C12-65R	C12-65R-303
3/4	6.6	0.937	0.375	0.856	1.50	C12-66R	C12-66R-303
3/4	6.7	0.937	0.375	0.856	1.50	C12-67R	C12-67R-303
3/4	6.8	0.937	0.375	0.856	1.50	C12-68R	C12-68R-303
3/4	6.9	0.937	0.375	0.856	1.50	C12-69R	C12-69R-303
3/4	7.0	0.937	0.375	0.856	1.50	C12-70R	C12-70R-303
3/4	7.1	0.937	0.375	0.856	1.50	C12-71R	C12-71R-303
3/4	7.2	0.937	0.375	0.856	1.50	C12-72R	C12-72R-303
3/4	7.3	0.937	0.375	0.856	1.50	C12-73R	C12-73R-303
3/4	7.4	0.937	0.375	0.856	1.50	C12-74R	C12-74R-303
3/4	7.5	0.937	0.375	0.856	1.50	C12-75R	C12-75R-303
3/4	7.6	0.937	0.375	0.856	1.50	C12-76R	C12-76R-303
3/4	7.7	0.937	0.375	0.856	1.50	C12-77R	C12-77R-303
3/4	7.8	0.937	0.375	0.856	1.50	C12-78R	C12-78R-303
3/4	7.9	0.937	0.375	0.856	1.50	C12-79R	C12-79R-303
3/4	8.0	0.937	0.375	0.856	1.50	C12-80R	C12-80R-303
7/8	1.0	1.000	0.500	0.996	1.50	C14-10R	C14-10R-303
7/8	1.1	1.000	0.500	0.996	1.50	C14-11R	C14-11R-303
7/8	1.2	1.000	0.500	0.996	1.50	C14-12R	C14-12R-303
7/8	1.3	1.000	0.500	0.996	1.50	C14-13R	C14-13R-303
7/8	1.4	1.000	0.500	0.996	1.50	C14-14R	C14-14R-303
7/8	1.5	1.000	0.500	0.996	1.50	C14-15R	C14-15R-303

**Model C Faspin**

DIAMETER	GRIP OR EFFECTIVE LENGTH	C	D	E	R	FASPIN P/N ZINC PLATED 1144 STEEL	FASPIN P/N 303 STAIN-LESS STEEL
7/8	1.6	1.000	0.500	0.996	1.50	C14-16R	C14-16R-303
7/8	1.7	1.000	0.500	0.996	1.50	C14-17R	C14-17R-303
7/8	1.8	1.000	0.500	0.996	1.50	C14-18R	C14-18R-303
7/8	1.9	1.000	0.500	0.996	1.50	C14-19R	C14-19R-303
7/8	2.0	1.000	0.500	0.996	1.50	C14-20R	C14-20R-303
7/8	2.1	1.000	0.500	0.996	1.50	C14-21R	C14-21R-303
7/8	2.2	1.000	0.500	0.996	1.50	C14-22R	C14-22R-303
7/8	2.3	1.000	0.500	0.996	1.50	C14-23R	C14-23R-303
7/8	2.4	1.000	0.500	0.996	1.50	C14-24R	C14-24R-303
7/8	2.5	1.000	0.500	0.996	1.50	C14-25R	C14-25R-303
7/8	2.6	1.000	0.500	0.996	1.50	C14-26R	C14-26R-303
7/8	2.7	1.000	0.500	0.996	1.50	C14-27R	C14-27R-303
7/8	2.8	1.000	0.500	0.996	1.50	C14-28R	C14-28R-303
7/8	2.9	1.000	0.500	0.996	1.50	C14-29R	C14-29R-303
7/8	3.0	1.000	0.500	0.996	1.50	C14-30R	C14-30R-303
7/8	3.1	1.000	0.500	0.996	1.50	C14-31R	C14-31R-303
7/8	3.2	1.000	0.500	0.996	1.50	C14-32R	C14-32R-303
7/8	3.3	1.000	0.500	0.996	1.50	C14-33R	C14-33R-303
7/8	3.4	1.000	0.500	0.996	1.50	C14-34R	C14-34R-303
7/8	3.5	1.000	0.500	0.996	1.50	C14-35R	C14-35R-303
7/8	3.6	1.000	0.500	0.996	1.50	C14-36R	C14-36R-303
7/8	3.7	1.000	0.500	0.996	1.50	C14-37R	C14-37R-303
7/8	3.8	1.000	0.500	0.996	1.50	C14-38R	C14-38R-303
7/8	3.9	1.000	0.500	0.996	1.50	C14-39R	C14-39R-303
7/8	4.0	1.000	0.500	0.996	1.50	C14-40R	C14-40R-303
7/8	4.1	1.000	0.500	0.996	1.50	C14-41R	C14-41R-303
7/8	4.2	1.000	0.500	0.996	1.50	C14-42R	C14-42R-303
7/8	4.3	1.000	0.500	0.996	1.50	C14-43R	C14-43R-303
7/8	4.4	1.000	0.500	0.996	1.50	C14-44R	C14-44R-303
7/8	4.5	1.000	0.500	0.996	1.50	C14-45R	C14-45R-303
7/8	4.6	1.000	0.500	0.996	1.50	C14-46R	C14-46R-303
7/8	4.7	1.000	0.500	0.996	1.50	C14-47R	C14-47R-303
7/8	4.8	1.000	0.500	0.996	1.50	C14-48R	C14-48R-303
7/8	4.9	1.000	0.500	0.996	1.50	C14-49R	C14-49R-303
7/8	5.0	1.000	0.500	0.996	1.50	C14-50R	C14-50R-303
7/8	5.1	1.000	0.500	0.996	1.50	C14-51R	C14-51R-303
7/8	5.2	1.000	0.500	0.996	1.50	C14-52R	C14-52R-303
7/8	5.3	1.000	0.500	0.996	1.50	C14-53R	C14-53R-303
7/8	5.4	1.000	0.500	0.996	1.50	C14-54R	C14-54R-303

**Model C Faspin**

DIAMETER	GRIP OR EFFECTIVE LENGTH	C	D	E	R	FASPIN P/N ZINC PLATED 1144 STEEL	FASPIN P/N 303 STAIN-LESS STEEL
7/8	5.5	1.000	0.500	0.996	1.50	C14-55R	C14-55R-303
7/8	5.6	1.000	0.500	0.996	1.50	C14-56R	C14-56R-303
7/8	5.7	1.000	0.500	0.996	1.50	C14-57R	C14-57R-303
7/8	5.8	1.000	0.500	0.996	1.50	C14-58R	C14-58R-303
7/8	5.9	1.000	0.500	0.996	1.50	C14-59R	C14-59R-303
7/8	6.0	1.000	0.500	0.996	1.50	C14-60R	C14-60R-303
7/8	6.1	1.000	0.500	0.996	1.50	C14-61R	C14-61R-303
7/8	6.2	1.000	0.500	0.996	1.50	C14-62R	C14-62R-303
7/8	6.3	1.000	0.500	0.996	1.50	C14-63R	C14-63R-303
7/8	6.4	1.000	0.500	0.996	1.50	C14-64R	C14-64R-303
7/8	6.5	1.000	0.500	0.996	1.50	C14-65R	C14-65R-303
7/8	6.6	1.000	0.500	0.996	1.50	C14-66R	C14-66R-303
7/8	6.7	1.000	0.500	0.996	1.50	C14-67R	C14-67R-303
7/8	6.8	1.000	0.500	0.996	1.50	C14-68R	C14-68R-303
7/8	6.9	1.000	0.500	0.996	1.50	C14-69R	C14-69R-303
7/8	7.0	1.000	0.500	0.996	1.50	C14-70R	C14-70R-303
7/8	7.1	1.000	0.500	0.996	1.50	C14-71R	C14-71R-303
7/8	7.2	1.000	0.500	0.996	1.50	C14-72R	C14-72R-303
7/8	7.3	1.000	0.500	0.996	1.50	C14-73R	C14-73R-303
7/8	7.4	1.000	0.500	0.996	1.50	C14-74R	C14-74R-303
7/8	7.5	1.000	0.500	0.996	1.50	C14-75R	C14-75R-303
7/8	7.6	1.000	0.500	0.996	1.50	C14-76R	C14-76R-303
7/8	7.7	1.000	0.500	0.996	1.50	C14-77R	C14-77R-303
7/8	7.8	1.000	0.500	0.996	1.50	C14-78R	C14-78R-303
7/8	7.9	1.000	0.500	0.996	1.50	C14-79R	C14-79R-303
7/8	8.0	1.000	0.500	0.996	1.50	C14-80R	C14-80R-303
1	1.0	1.250	0.500	1.140	1.50	C16-10R	C16-10R-303
1	1.1	1.250	0.500	1.140	1.50	C16-11R	C16-11R-303
1	1.2	1.250	0.500	1.140	1.50	C16-12R	C16-12R-303
1	1.3	1.250	0.500	1.140	1.50	C16-13R	C16-13R-303
1	1.4	1.250	0.500	1.140	1.50	C16-14R	C16-14R-303
1	1.5	1.250	0.500	1.140	1.50	C16-15R	C16-15R-303
1	1.6	1.250	0.500	1.140	1.50	C16-16R	C16-16R-303
1	1.7	1.250	0.500	1.140	1.50	C16-17R	C16-17R-303
1	1.8	1.250	0.500	1.140	1.50	C16-18R	C16-18R-303
1	1.9	1.250	0.500	1.140	1.50	C16-19R	C16-19R-303
1	2.0	1.250	0.500	1.140	1.50	C16-20R	C16-20R-303
1	2.1	1.250	0.500	1.140	1.50	C16-21R	C16-21R-303
1	2.2	1.250	0.500	1.140	1.50	C16-22R	C16-22R-303
1	2.3	1.250	0.500	1.140	1.50	C16-23R	C16-23R-303

**Model C Faspin**

DIAMETER	GRIP OR EFFECTIVE LENGTH	C	D	E	R	FASPIN P/N ZINC PLATED 1144 STEEL	FASPIN P/N 303 STAIN-LESS STEEL
1	2.4	1.250	0.500	1.140	1.50	C16-24R	C16-24R-303
1	2.5	1.250	0.500	1.140	1.50	C16-25R	C16-25R-303
1	2.6	1.250	0.500	1.140	1.50	C16-26R	C16-26R-303
1	2.7	1.250	0.500	1.140	1.50	C16-27R	C16-27R-303
1	2.8	1.250	0.500	1.140	1.50	C16-28R	C16-28R-303
1	2.9	1.250	0.500	1.140	1.50	C16-29R	C16-29R-303
1	3.0	1.250	0.500	1.140	1.50	C16-30R	C16-30R-303
1	3.1	1.250	0.500	1.140	1.50	C16-31R	C16-31R-303
1	3.2	1.250	0.500	1.140	1.50	C16-32R	C16-32R-303
1	3.3	1.250	0.500	1.140	1.50	C16-33R	C16-33R-303
1	3.4	1.250	0.500	1.140	1.50	C16-34R	C16-34R-303
1	3.5	1.250	0.500	1.140	1.50	C16-35R	C16-35R-303
1	3.6	1.250	0.500	1.140	1.50	C16-36R	C16-36R-303
1	3.7	1.250	0.500	1.140	1.50	C16-37R	C16-37R-303
1	3.8	1.250	0.500	1.140	1.50	C16-38R	C16-38R-303
1	3.9	1.250	0.500	1.140	1.50	C16-39R	C16-39R-303
1	4.0	1.250	0.500	1.140	1.50	C16-40R	C16-40R-303
1	4.1	1.250	0.500	1.140	1.50	C16-41R	C16-41R-303
1	4.2	1.250	0.500	1.140	1.50	C16-42R	C16-42R-303
1	4.3	1.250	0.500	1.140	1.50	C16-43R	C16-43R-303
1	4.4	1.250	0.500	1.140	1.50	C16-44R	C16-44R-303
1	4.5	1.250	0.500	1.140	1.50	C16-45R	C16-45R-303
1	4.6	1.250	0.500	1.140	1.50	C16-46R	C16-46R-303
1	4.7	1.250	0.500	1.140	1.50	C16-47R	C16-47R-303
1	4.8	1.250	0.500	1.140	1.50	C16-48R	C16-48R-303
1	4.9	1.250	0.500	1.140	1.50	C16-49R	C16-49R-303
1	5.0	1.250	0.500	1.140	1.50	C16-50R	C16-50R-303
1	5.1	1.250	0.500	1.140	1.50	C16-51R	C16-51R-303
1	5.2	1.250	0.500	1.140	1.50	C16-52R	C16-52R-303
1	5.3	1.250	0.500	1.140	1.50	C16-53R	C16-53R-303
1	5.4	1.250	0.500	1.140	1.50	C16-54R	C16-54R-303
1	5.5	1.250	0.500	1.140	1.50	C16-55R	C16-55R-303
1	5.6	1.250	0.500	1.140	1.50	C16-56R	C16-56R-303
1	5.7	1.250	0.500	1.140	1.50	C16-57R	C16-57R-303
1	5.8	1.250	0.500	1.140	1.50	C16-58R	C16-58R-303
1	5.9	1.250	0.500	1.140	1.50	C16-59R	C16-59R-303
1	6.0	1.250	0.500	1.140	1.50	C16-60R	C16-60R-303
1	6.1	1.250	0.500	1.140	1.50	C16-61R	C16-61R-303
1	6.2	1.250	0.500	1.140	1.50	C16-62R	C16-62R-303
1	6.3	1.250	0.500	1.140	1.50	C16-63R	C16-63R-303



**Model C Faspin**

DIAMETER	GRIP OR EFFECTIVE LENGTH	C	D	E	R	FASPIN P/N ZINC PLATED 1144 STEEL	FASPIN P/N 303 STAIN-LESS STEEL
1	6.4	1.250	0.500	1.140	1.50	C16-64R	C16-64R-303
1	6.5	1.250	0.500	1.140	1.50	C16-65R	C16-65R-303
1	6.6	1.250	0.500	1.140	1.50	C16-66R	C16-66R-303
1	6.7	1.250	0.500	1.140	1.50	C16-67R	C16-67R-303
1	6.8	1.250	0.500	1.140	1.50	C16-68R	C16-68R-303
1	6.9	1.250	0.500	1.140	1.50	C16-69R	C16-69R-303
1	7.0	1.250	0.500	1.140	1.50	C16-70R	C16-70R-303
1	7.1	1.250	0.500	1.140	1.50	C16-71R	C16-71R-303
1	7.2	1.250	0.500	1.140	1.50	C16-72R	C16-72R-303
1	7.3	1.250	0.500	1.140	1.50	C16-73R	C16-73R-303
1	7.4	1.250	0.500	1.140	1.50	C16-74R	C16-74R-303
1	7.5	1.250	0.500	1.140	1.50	C16-75R	C16-75R-303
1	7.6	1.250	0.500	1.140	1.50	C16-76R	C16-76R-303
1	7.7	1.250	0.500	1.140	1.50	C16-77R	C16-77R-303
1	7.8	1.250	0.500	1.140	1.50	C16-78R	C16-78R-303
1	7.9	1.250	0.500	1.140	1.50	C16-79R	C16-79R-303
1	8.0	1.250	0.500	1.140	1.50	C16-80R	C16-80R-303